

**CRFRST-010100** Fire Extinguisher Cabinet, Recess Mounted, Fire-Rated Construction, Powder Coated Steel



Shown with Oval model 10J-ABC fire extinguisher (sold separately).

**Application:** Recess mounted powder coated steel cabinet for use with Oval Model 10J-ABC low-profile fire extinguisher (sold separately). Cabinet is rated for use in 2-hour fire-rated walls.

**Mounting:** Cabinet is recess mounted in wall (mounting hardware not included). **Cabinet fits into standard 3-5/8" (92mm) partition wall, making it ideal for both new construction and retrofit applications.**

**Accessibility:** Cabinet projects 5/8" (16mm) from wall surface, complying with the maximum limit for protruding objects as required by the Americans with Disabilities Act, 2010 ADA Standards for Accessible Design, International Building Code and ANSI/ICC A117.1. Recessed cabinet maximizes clear space in pathways and means of egress.

**Cabinet:** Fully welded 16 gauge cold rolled steel with a powder coated finish as standard. Additional colors available as option (see below).

**Fire-Rated Construction:** Cabinet is wrapped with 5/8" (16mm) thick Type X gypsum drywall and encased in a galvanized steel shell. Cabinets are rated and marked by Intertek/Warnock Hersey.

**Tub:** 22 gauge tub with white powder coated finish.

**Door:** 16 gauge steel door with continuous steel piano hinge. Door has 1-1/4" (32mm) trim, (2) self-adjusting roller catches and black plastic recessed handle. Door opens 180 degrees. Cabinet is reversible so handle can be on either left or right side.

**Window/Lock:** Furnished with full acrylic window and without lock as standard. See below for additional window and lock options.

**Lettering:** Furnished without lettering as standard. See below for lettering options.

**Ordering Information**



**Finish Options**

- 01 White steel
- 02 Black steel
- 03 Red steel

**Window/Lock Options**  
(See notes below)

- 01 Full window
- 02 Full window with lock
- 03 Vertical half window
- 04 Vertical half window with lock
- 05 Solid door
- 06 Solid door with lock
- 07 Solid door with cylinder lock, less handle

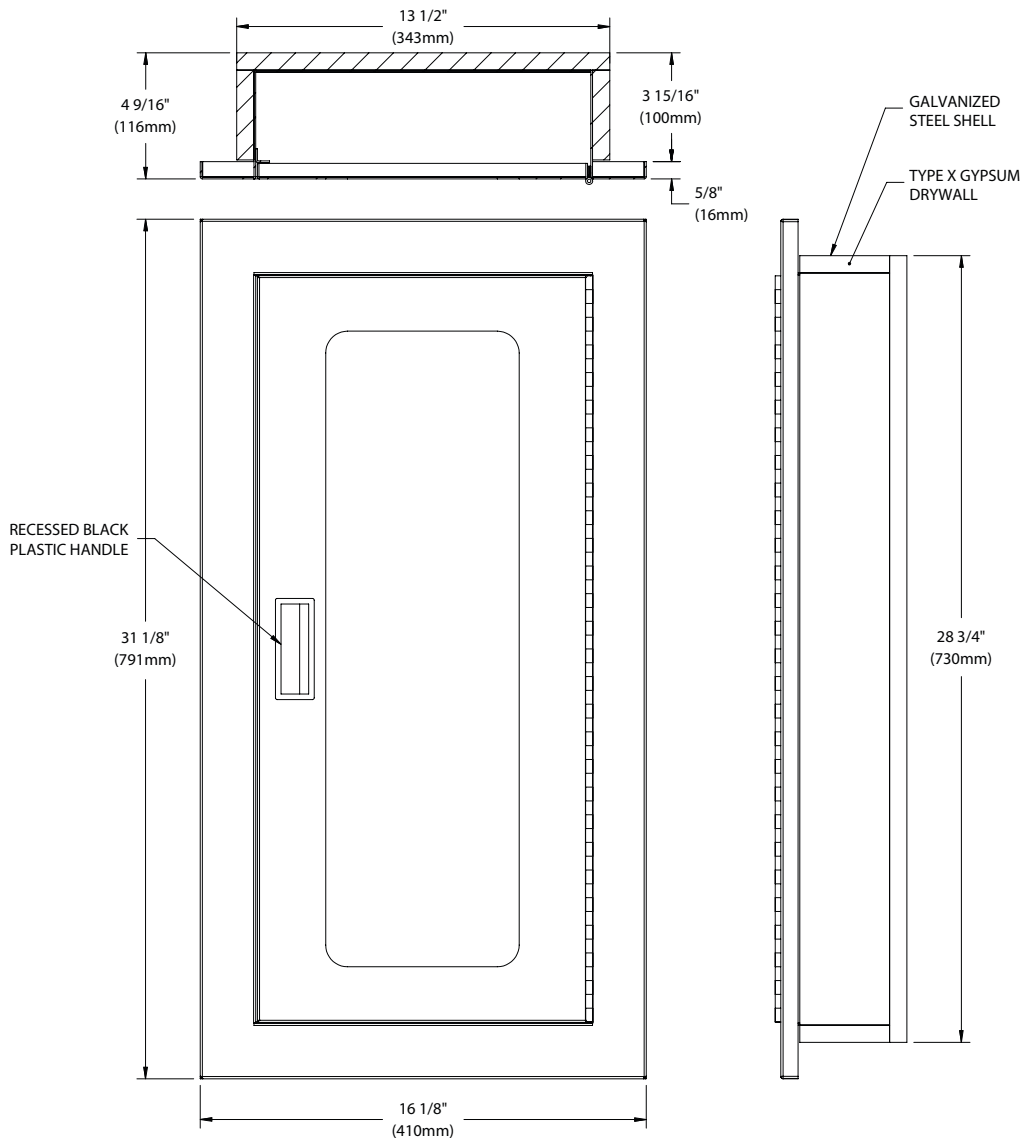
**Lettering Options**

- 00 Without lettering (standard)
- 01 Vertical decal, clear with red letters
- 02 Vertical decal, clear with white letters
- 03 Vertical decal, clear with black letters
- 04 Vertical die-cut, red letters
- 05 Vertical die-cut, white letters
- 06 Vertical die-cut, black letters
- 07 Vertical die-cut, red ascending letters
- 08 Vertical die-cut, white ascending letters
- 09 Vertical die-cut, black ascending letters

**Notes:**

1. Standard window is clear acrylic. For tempered glass window, add prefix "G" in place of "0" above.
2. Lock permits opening in case of fire by pulling firmly. Breaking glass to open is not required.

**CRFRST-010100** Fire Extinguisher Cabinet, Recess Mounted, Fire-Rated Construction, Powder Coated Steel



**Recess Mount Cabinet Dimensions**

Trim	Tub ID			Frame OD		Recommended Wall Opening		
	Width	Height	Depth	Width	Height	Width	Height	Depth
5/8" (16mm)	12" (305mm)	27" (686mm)	3-1/4" (83mm)	16-1/8" (410mm)	31-1/8" (791mm)	14" (356mm)	30" (762mm)	3-3/4" (95mm)

THIS SPACE FOR ARCHITECT/ENGINEER APPROVAL

Due to continuing product improvement, the information contained in this document is subject to change without notice. All dimensions are ± 1/4" (6mm). Rev. 111119