

SUBMITTAL: FX2 FIRE-RATED EXTINGUISHER CABINET FOR ORBIT™ LOW PROFILE EXTINGUISHERS

This Series Features a Low Profile Tub to Accommodate the Orbit FE10V Fire Extinguisher* to Fit Into a 3 5/8" Stud Wall.

Door & Trim Construction: Cold rolled steel with white powder-coated finish, anodized aluminum, stainless steel with # 4 finish, US3 polished brass or US10 satin finish bronze. Flush cabinet doors with a 5/8" door stop are attached by a continuous hinge, zinc-plated handle and roller catch. All models have 1-3/4" wide trim on frame and 1-1/4" trim on doors with glazing. Glazed models have clear acrylic glazing.

Trim Style & Depth: Recessed Flat 3/8" Trim.

Tub: The tub is constructed of cold rolled steel with white powder-coat finish standard. Tub forms a flange to cover cut edges of wallboard material. Fire-resistant material is attached to the exterior of the tub. Extinguisher rests on a 1" high shelf.

Fire-Rating: Fire-FX2™ cabinets are fabricated in accordance with the UL label for one and two hour combustibile and non-combustibile wall system building codes. The fire testing has met the requirement of ANSI/UL 1479 (ASTM –E814) and ULC/CAN S115-for membrane and penetration firestops. Installation instructions must be strictly adhered to in order to obtain the fire rating.



2115G10FX2
Steel Cabinet with
Standard White Finish

STEP 1: SELECT MODEL NUMBER BY FINISH AND QUANTITY ON CHART (refer to chart on page 2)

STEP 2: SELECT DOOR STYLE WITH HANDLE

Check one box below Examples on Page 2


- | | |
|--|--|
| <input type="checkbox"/> F Full Glazing in 1-1/4" wide Frame | <input type="checkbox"/> L22 Solid with SAF-T-LOK™ |
| <input type="checkbox"/> G Full Glazing with SAF-T-LOK™ in 1-1/4" Frame | <input type="checkbox"/> L24 Solid with Cylinder Lock - No Handle |
| <input type="checkbox"/> D Horizontal Duo Panel | <input type="checkbox"/> V Vertical Duo |
| <input type="checkbox"/> E Horizontal Dual Panel with SAF-T-LOK™ | <input type="checkbox"/> W Vertical Duo with SAF-T-LOK™ |
| <input type="checkbox"/> S21 Solid Door | |

[Quick Link to Orbit Fire Extinguisher](#)

STEP 3: OPTIONAL FEATURES AT ADDED COST (SELECT ANY)

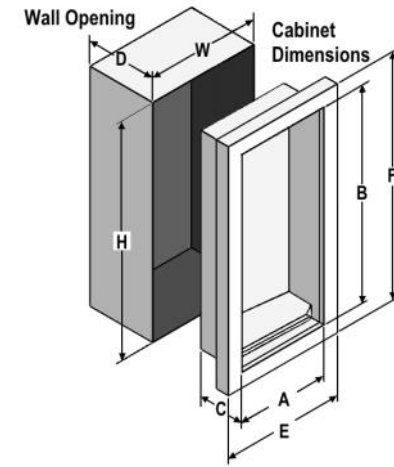
- | | | |
|---|---|--|
| <input type="checkbox"/> Optional Tub Color: ___ Black ___ Red ___ Silver | <input type="checkbox"/> Black Vertical FE Letters LDCVBFE | <input type="checkbox"/> Black Vertical FE Decal LDVBFE |
| <input type="checkbox"/> Futura "Fire" Pull ___ Mill Alum ___ Red ___ White | <input type="checkbox"/> Red Vertical FE Letters LDCVRFE | <input type="checkbox"/> Red Vertical FE Decal LDVRFE |
| <input type="checkbox"/> Polished Chrome Handle (PUCH) | <input type="checkbox"/> White Vertical FE Letters LDCVWFE | <input type="checkbox"/> White Vertical FE Decal LDVWFE |
| <input type="checkbox"/> Magnetic Catch for 2115 (-MC) Replaces Roller Catch | <input type="checkbox"/> Black Horizontal FE Letters LDCHBFE | <input type="checkbox"/> Black Horizontal FE Decal LDHBFE |
| <input type="checkbox"/> Optional Colors: ___ Red ___ Black ___ Flat Black | <input type="checkbox"/> Red Horizontal FE Letters LDCHRFE | <input type="checkbox"/> Red Horizontal FE Decal LDHRFE |
| ___ Sand ___ AMS Beige ___ SC Flat Beige | <input type="checkbox"/> White Horizontal FE Letters LDCHWFE | <input type="checkbox"/> White Horizontal FE Decal LDHWFE |
| ___ Gray ___ Bronze ___ Silver | | |

For More Information on Options See Other Submittals: [Handles & Levers](#) [Decals/Die Cuts & Wall Signs](#).

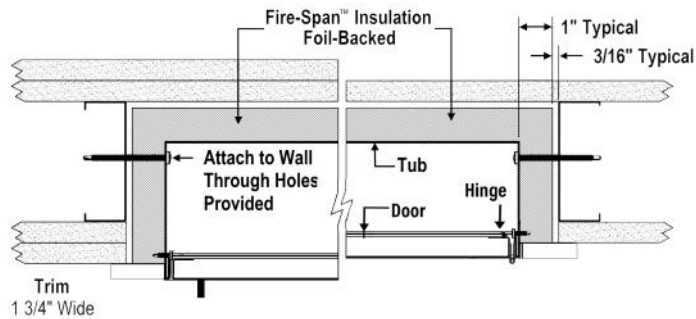
 ACTIVAR INC. <small>CONSTRUCTION PRODUCTS GROUP</small>	Distributor:	Quantity:
	Contractor:	Approved By:
	Model #:	Architect:
	Project:	Date:
<p>HEADQUARTERS: 9702 NEWTON AV S, BLOOMINGTON, MN 55431 PH: 800-554-6077 FAX: 952-835-2218 EMAIL: SALES@ACTIVARCPG.COM WWW.ACTIVARCPG.COM MANUFACTURING: BLOOMINGTON MN & COMMERCE, CA • WAREHOUSES: FT MYERS FL, ATLANTA GA, DALLAS TX, SEATTLE WA, LANCASTER PA, FARGO ND, OMAHA NE 2/10/2017</p>		

SUBMITTAL: FIRE-RATED EXTINGUISHER FOR ORBIT™ LOW PROFILE EXTINGUISHERS

TRIM & DOOR SERIES #			Tub I.D.			Frame O.D.		FX2 Wall Opening			
QTY	Model	Material	A	B	C	E	F	W	H	D	
	2115	Steel, White Painted	12	27	3 1/4	15 3/8	30 3/8	14 5/16	29 5/16	4 1/4	Specialty Extinguishers Such as Orbit Model FE10V
	2125	Anodized Aluminum	12	27	3 1/4	15 3/8	30 3/8	14 5/16	29 5/16	4 1/4	
	2135	Stainless Steel	12	27	3 1/4	15 3/8	30 3/8	14 5/16	29 5/16	4 1/4	
	2145	US 10 Satin Bronze	12	27	3 1/4	15 3/8	30 3/8	14 5/16	29 5/16	4 1/4	
	2155	US 3 Polished Brass	12	27	3 1/4	15 3/8	30 3/8	14 5/16	29 5/16	4 1/4	



FIRE-FX2 CABINET WITH NEW LIGHTWEIGHT INSULATION



TYPICAL INSTALLATION

ADA Cabinet Mounting Height: Standard Pull on G, E, W, and L22 Door Styles with Saf-T-Lok are 3 5/8" Higher than Door Center, so Allow for that When Mounting Cabinet. Standard Pull with No Lock is Centered on Door.



- F - Full glass with pull handle
- G - Full glass with pull handle above Saf-T-Lok
- D - Horizontal duo panel with pull handle
- E - Horizontal duo panel with pull handle above Saf-T-Lok.
- V - Vertical duo panel with pull handle
- W - Vertical duo panel with pull handle above Saf-T-Lok.
- S21 - Solid with pull handle
- L22 - Solid with pull handle above Saf-T-Lok
- L24 - Solid with cylinder key lock and no handle (Not Shown)